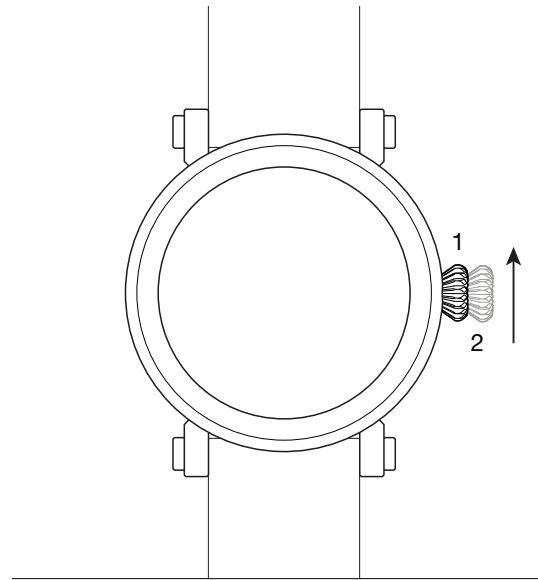


## How to use your watch?

---



### WATCH SETTING

TWO-position crown

- 1. Neutral and winding position**  
Allows the user to manually wind their watch by turning the crown upwards.
- 2. Time setting position**  
Allows the user to set the time by turning the crown and turning the hands to the right time.



**SPEAKE-MARIN**

### CAUTION

Every time you change the time, remember to put the crown back in position 1.

### WARNING

Your watch is guaranteed water-resistant to 3 bars (30 m) provided the crown is placed back in position 1.