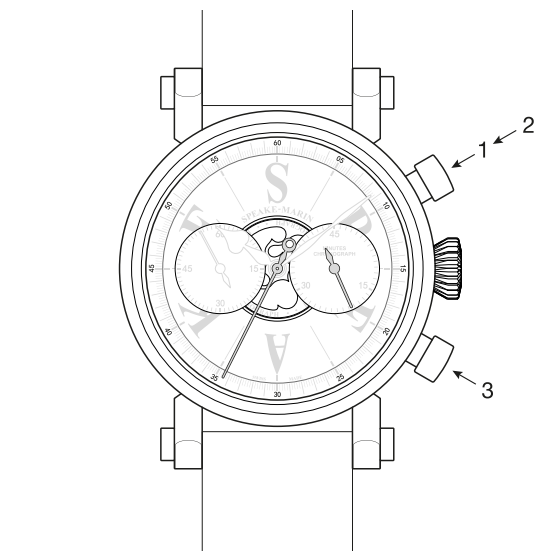


The **HAUTE HORLOGERIE** collection

LONDON CHRONOGRAPH

How to use your watch



CHRONOGRAPH OPERATION

1. Start

Press push-button 1 to activate the seconds hand on the chronograph. If the length of the activity time exceeds 60 seconds, the additional time is displayed on the minute counter.

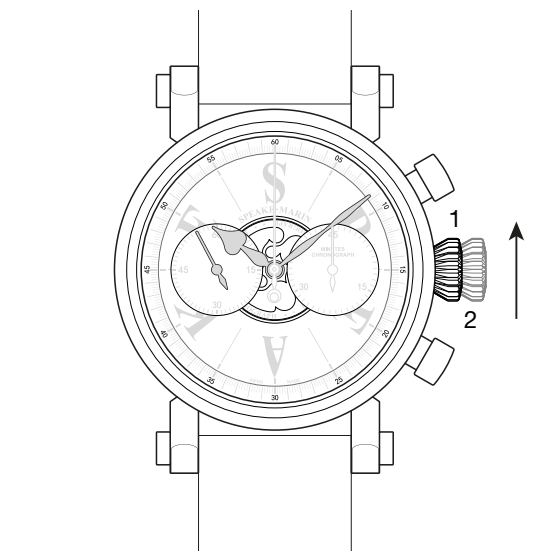
2. Stop

Press push-button 1 for the second time to stop the chronograph and see the elapsed time (in seconds, minutes and hours). By again pressing push-button 1, the time restarts immediately. You can therefore, measure several consecutive periods.

3. Reset

After having stopped the chronograph by pressing push-button 1, press push-button 3 to reset all the counters.

The watch is now ready to count a new period again.



WATCH SETTING

TWO-position crown

1. Neutral and winding position

Allows the user to manually wind their watch by turning the crown upwards.

2. Time setting position

Allows the user to set the time by turning the crown and placing the hand at the right time.



SPEAKE-MARIN

CAUTION

Every time you change the time, remember to put the crown back in position 1.

WARNING

Your watch is guaranteed water-resistant to 3 bars (30 m) provided the crown is placed back in position 1.